

AQUADRUM - ICT

IN-CHANNEL ROTARY DRUM SCREENING TECHNOLOGY

Aquatec Maxcon developed the flagship of our fine screening fleet, the AQUADRUM ICT, in 1989 using a full scale prototype.

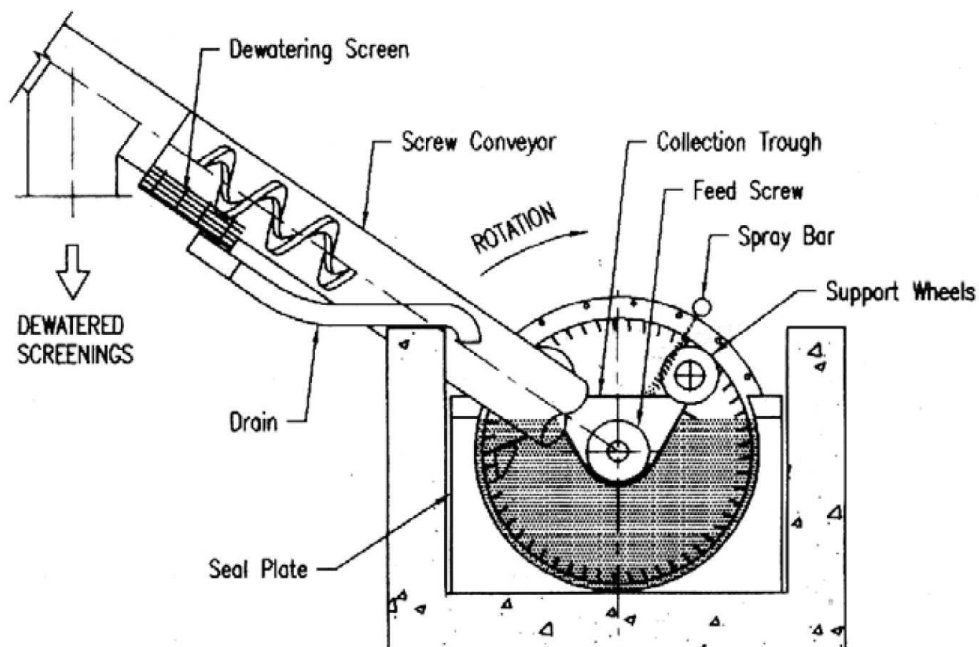
Since its inception, over 30 years of refinement has placed the AQUADRUM-ICT at the forefront of fine screening technology.

The AQUADRUM-ICT, as the name suggests, sits within an existing or proposed channel providing fine screening of incoming flows.

FINE SCREENS IMPROVE YOUR PROCESS OPERATION AND STOPS PLASTICS AND RAGS FOULING YOUR DIGESTORS AND CONTAMINATING REUSABLE WASTE SLUDGE

DESIGN ADVANTAGES

- Support wheels, drives and bearings are all well above top of water level. No issue of screen wearing due to grit and catching of screenings.
- Horizontal and inlet flush with channel with no build up of grit upstream of channel.
- Lower headloss than competitive and conventional drum screens, due to horizontal design which maximises the screening area.
- Retrofit into existing works with a minimum of fuss.
- The screen simply drops into the channel, resting on two transverse beams.
- Semi-enclosed to contain aerosols and accept maintenance crews.
- Delivers dewatered and pressed screenings.



AQUADRUM-ICT, SECTIONAL VIEW



Aquatec Maxcon

Group

ONE AQUADRUM-ICT CAN SCREEN FLOWS OF UP TO 3,000 L/S

DESIGN FEATURES

Flow enters the open end of the wedgewire or perforated hole drum and passes through the tapered aperture.

Screenings trapped by the screening drum are lifted by the rotating drum to fall into the centrally located shaftless screw conveyor.

The central screw conveyor transports the screenings to the inlet end of the screen with a second conveyor at 90° to the screen, transporting and dewatering screenings to your collection bin.

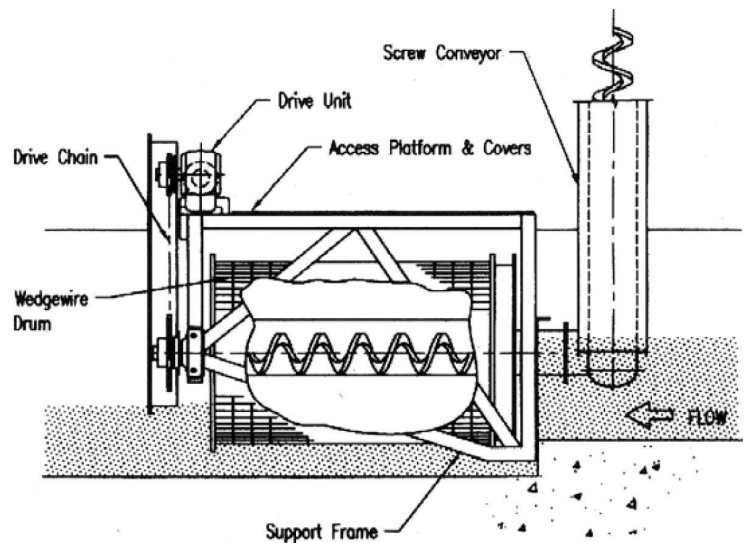
- Wedgewire apertures can range from 0.25mm to 10mm
- Perforated hole apertures can range from 1mm to 6mm
- The screening drum is constructed from stainless steel with grades varying from 304/316 to exotics such as Hastelloy C.

APPLICATIONS

- Sewage treatment plant inlet
- Water treatment plant inlet
- Sewage plant overflows
- Sewer surcharges
- Industrial screening
- Sludge Screening
- Stormwater screening


The manufacturer reserves the right to alter performance, specification or design without notice.

EXAMPLE WITH 5MM WEDGEWIRE APERTURE		
FLOW L/S (DEPENDENT ON APERTURE SIZE)	MINIMUM CHANNEL WITH (MM)	DRUM SIZE (MM)
0 TO 300	1200	900 X 1500
300 TO 800	1800	1500 X 2000
800 TO 1500	1800	1500 X 3000
1500 TO 3000	2300	1800 X 3000




AQUADRUM - ICT, ELEVATION



 Brisbane
Head Office and Factory
119 Toongarra Road
Ipswich Q 4305 AUS
P: +61 (0) 7 3813 7100
F: +61 (0) 7 3813 7199

 Sydney
Office and Factory
8 Charles Street
St Marys NSW 2760 AUS
P: +61 (0) 2 8603 5200
F: +61 (0) 2 8603 5299

 Melbourne
Office and Factory
6/64 Oakover Road
Preston VIC 3072 AUS
P: +61 (0) 3 9480 8000
F: +61 (0) 3 9480 8099